



# HC2018 A

## 36V, 2.8A CC&CV Buck Converter

### DESCRIPTION

HC2018A has an optimum input voltage, step-down converter that operates in either CV (Constant Output Voltage) mode or CC (Constant Output Current) mode. The maximum input voltage is up to 36V and the operation input voltage from 8.5V to 32V. Including BC1.2/APPLE/SA MSUNG/ charging protocol.

MOSFET, what build in 50mΩ High-Side and 30mΩ Low-Side, could deliver up to 2.8A of continuous output current.

External compensation is not needed. The line compensation and the constant current can be set by an external resistance.

In conclusion, HC2018A is a full function and high performance, high reliability buck DC-DC converter.

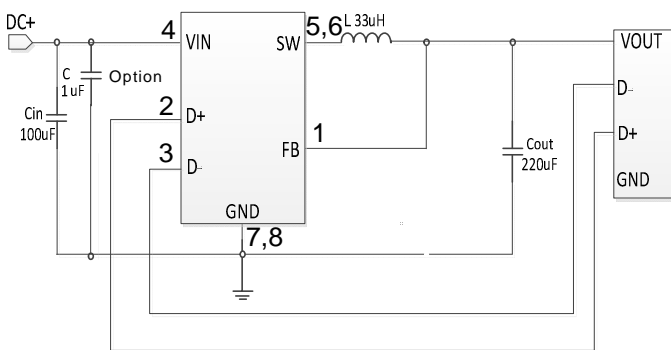
### FEATURES

- Build in High-Side and Low-Side MOSFET
- Max Output Current: 2.8A
- Adjustable Output Voltage,  $V_{FB}=1V$
- Constant Voltage Accurate:  $\pm 2\%$
- No External Compensation Needed
- Efficiency: Up to 92%
- Short Circuit Protection
- Over Voltage Protection
- Thermal shutdown Protection
- Under Voltage Lock-Out
- Available in SOP-8 package
- ESD HBM >5KV

### APPLICATIONS

- Car DVD
- Black Box
- Car Charger
- Industry Application

### TYPICAL APPLICATION

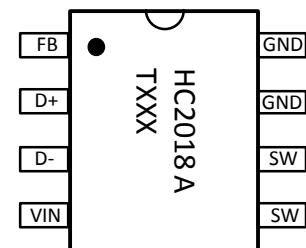


**Note:** 1) It is recommended to use  $C_{in}$  and  $C_{out}$  as high-frequency low-ESR capacitors for Rubycon and Wurth.

2) The inductor core is recommended for the iron silicone Aluminum ring.

### PACKAGING INFORMATION

### PIN OUT & MARKING



SOP-8

HC2018A : Product Code

TXXX: Date code (Year & Week)